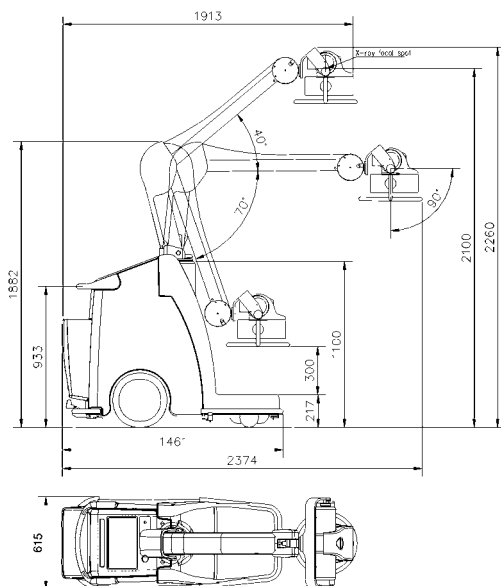


MOTOR DRIVEN MOBILE X-RAY UNIT

SPECIFICATIONS

- High Frequency X-ray Generator -

CONSTANT POTENTIAL kW RATINGS	20 (SM-20HF)	30 (SM-30HF)
KVP RANGE IN 1 kVP STEPS	40 TO 125	40 TO 150
ACCURACY	±(5%+1kVP)	(5%+1kVP)
MA STATIONS	10, 12.5, 16, 20, 25, 32, 40, 50, 64, 80, 100, 125, 160, 200, 250, 320	10, 12.5, 16, 20, 25, 32, 40, 50, 64, 80, 100, 125, 160, 200, 250, 320, 400, 500
ACCURACY	±(5%+0.1 mA)	±(5%+0.1 mA)
EXPOSURE TIME RANGE	0.001 - 8 SECONDS	0.001 - 8 SECONDS
ACCURACY	±(1%+0.1 MS)	±(1%+0.1 MS)
MAS RANGE	0.1 - 500 MAS	0.1 - 500 MAS
OPERATION INDEPENDENT FROM MAINS SUPPLY	STANDARD	STANDARD
BATTERIES CAPACITY AT FULL CHARGE (MAXIMUM CHARGE AFTER 4 HOURS)	UP TO 180 EXPOSURES OF 160 MAS (I.E. 70 kVP, 320 MA, 0.5 SEC) CAN BE MADE WITH 1 MINUTE INTERVAL BETWEEN EXPOSURES	
COLLIMATOR MANUAL AUTOMATIC	STANDARD OPTIONAL	STANDARD OPTIONAL
AUTOMATIC MAS COMPENSATION DEPENDING ON FOCAL DISTANCE	ONLY AVAILABLE WITH AUTOMATIC COLLIMATOR	
ANATOMICAL PROGRAMMER	534 VIEWS	534 VIEWS
AUTOMATIC EXPOSURE CONTROL	OPTIONAL	OPTIONAL
CONNECTION FOR BUCKY	STANDARD	STANDARD
REMOTE WIRELESS INFRARED HAND-SWITCH	OPTIONAL	OPTIONAL
LINE VOLTAGE RANGE AND PHASES	110-230 VAC SINGLE PHASE	110-230 VAC SINGLE PHASE
X-RAY TUBE (ROTATING ANODE)		
FOCAL SPOTS KHU / kVP TARGET ANGLE	0.3 / 1.0 140 / 150 12°	0.3 / 1.0 140 / 150 12°
OPTIONAL TUBE FOCAL SPOTS KHU / kVP TARGET ANGLE		0.6 / 1.2 300 / 150 12°
WEIGHT	475 KG	475 KG



Specifications subject to change without notice

SEDECAL

Pelaya, 9 - Polígono industrial "Rio de Janeiro"
28110 - Algete (Madrid - SPAIN)
Central Offices:
Tel.: (34) 91-628 0544 / 91-628 1592
Fax: (34) 91-628 0574
Email: marketing@sedecal.com

Factory:
Tel.: (34) 91-629 0721
Fax: (34) 91-629 0783
Email: manufacturing@sedecal.com

SEDECAL facilities



SEDECAL USA Inc

2910 N Arlington Heights Rd.
Arlington Heights, Illinois 60004
USA
Tel.: 1 (847) 394 - 6960
Fax: 1 (847) 394 - 6966
Email: sales@sedecalusa.com

The easiest and the most accurate positioning
MOBILE X-ray Unit

*Easy Moving*TM



SEDECAL