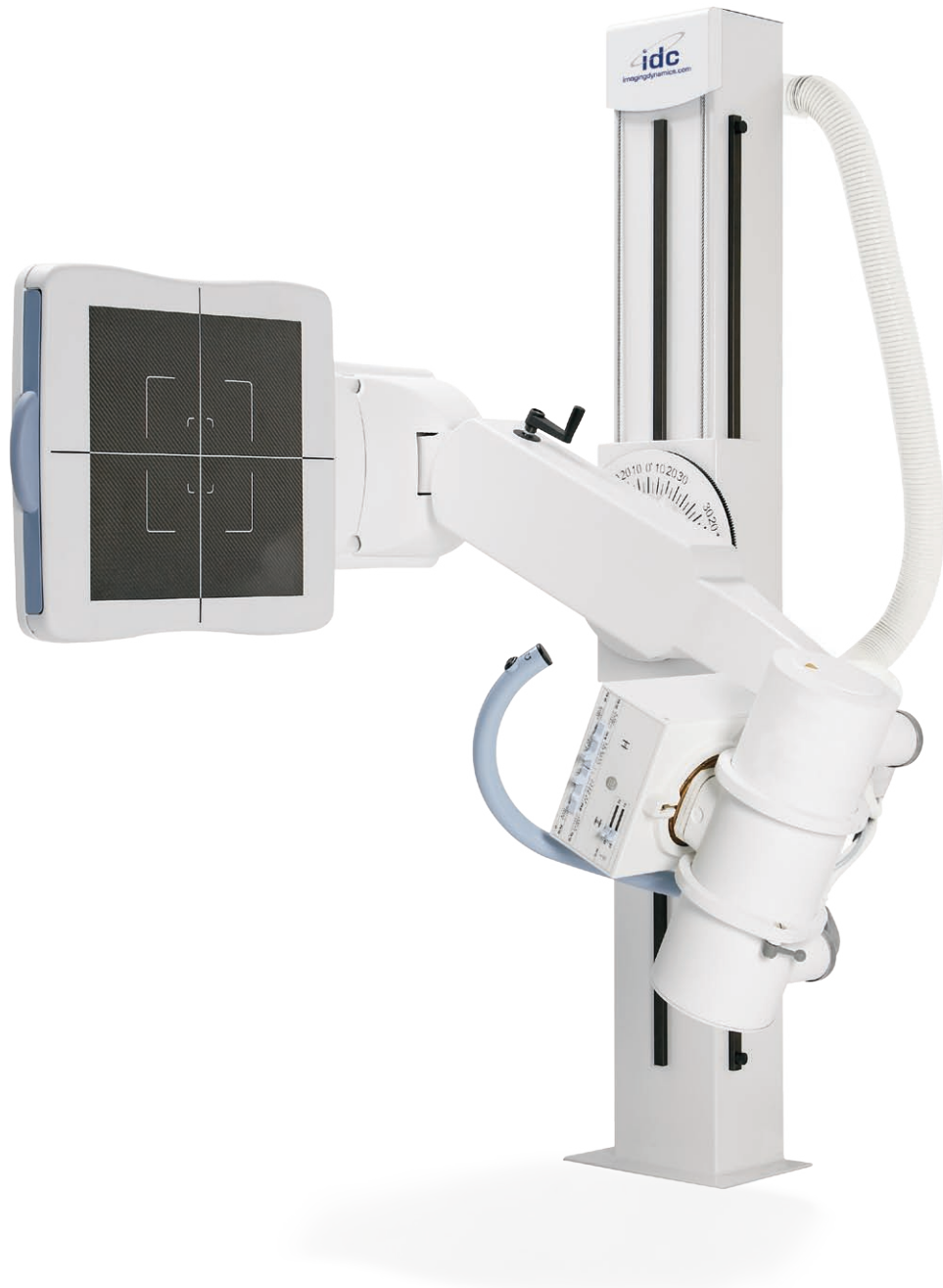


ORTHOXP™ SERIES

DIGITAL RADIOGRAPHY



idc
imagingdynamics.com

Visit imagingdynamics.com for more information on the OrthoXP Series.

ORTHOXP™ SERIES

PRODUCT SPECIFICATIONS

CHOOSE YOUR DR TECHNOLOGY:

XPLORER IMAGING DETECTOR SPECIFICATIONS

Detector Array	Full field, single VHD CCD
Active Image Size	43 cm x 43 cm (17" x 17")
Pixels	4,128 x 4,128 (16 Megapixel)
Pixel Size (element pitch)	108 microns
Spatial Frequency (Nyquist)	4.6 lp/mm
Bit Depth	14 bit capture
Fill Factor	100%
AEC	3 field
Preview Image	Less than 5 seconds
Processed Image Display	Approximately 10 seconds
Acquisition Cycle Time	Immediately upon display of previous image
Imaging Detector Weight	75 kg (165 lb)

X3C IMAGING DETECTOR SPECIFICATIONS*

Detector Array	Full field, single VHD CCD
Active Image Size	43 cm x 43 cm (17" x 17")
Pixels	3,072 x 3,072 (9 Megapixel)
Pixel Size	144 microns
Spatial Frequency	3.4 lp/mm
Bit Depth	14 bit capture
Fill Factor	98%
AEC	3 field
Preview Image	Less than 5 seconds
Processed Image Display	Approximately 10 seconds
Acquisition Cycle Time	Immediately upon display of previous image
Imaging Detector Weight	75 kg (165 lb)

*FDA Clearance Pending

STANDARD SYSTEM FEATURES:

X-RAY TUBE

- Rotating Anode 12° High Speed
- Dual Focal Spots:
 - High Speed Small Focus 0.3 mm
 - High Speed Large Focus 1.0 mm
- 150 kVp; 400 KHU
- 12kW
- 70kW

GRID

Ratio	13:1
Frequency	70 lines/cm
Type	Stationary, removable
Focal Distance	120 cm (47")

STAND FUNCTION SPECIFICATIONS

SID	120 cm (47")
Minimum focal distance from floor	41 cm (16") (horizontal beam)
Maximum focal distance from floor	151 cm (59") (horizontal beam)
Rotation of the arm	150°
Detector angulation	+/- 25°
X-ray tube rotation	180° CCW and 90° CW
Power supply	24 V AC
Vertical Stand Weight	280 kg (617 lb)

GENERATOR

- High Speed Rotor Controller
- Automatic Exposure Control
- 50kW, 500 mA

COLLIMATOR

- Manual Collimator
- Bucky Centering Light with Laser

MODALITY WORKSTATION

Typical hardware configuration:

- Computer: Pentium 4 Processor 3.2 Ghz, 2 GB RAM, 150 GB SATA RAID 1
- Monitor: 1600 x 1200 color flat panel display
- Ethernet 100 / 1000 mbit/s
- Magellan 2.1 Worklist Software

Advanced image processing functions include

- Automatic Shuttering
- Image Contrast Enhancement (ICE)
- Sharpening
- Tissue Equalization

ACCUTECH EXPOSURE MONITORING SOFTWARE

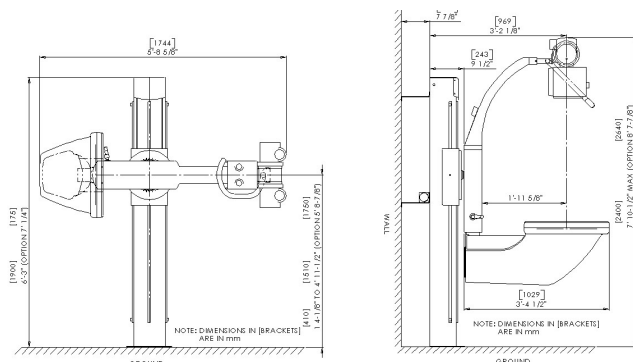
Assists the Technologist in capturing correct exposures by providing instant technique feedback on every image.

DICOM 3.0 FUNCTIONALITY

- Print SCU
- Modality Worklist SCU/SCP
- MPPS SCU/SCP
- Storage SCU

OPTIONAL ACCESSORIES

- Orthopedic Software
- Long Leg Stand
- Weight Bearing Stand
- Patient Tables (Fixed, Mobile, Elevating or Float-Top)
- Selectable Resolution
- DICOM Worklist



Global Leading DR Technology

info@imagingdynamics.com | 1.866.975.6737

10/06, V. 2.0