

X1600 SERIES

DIGITAL RADIOGRAPHY



X1600 Series shown with optional Carbon Fibre Patient Table


imagingdynamics.com

Visit imagingdynamics.com for more information on the X1600 Series.

X1600 SERIES

PRODUCT SPECIFICATIONS

CHOOSE YOUR DR TECHNOLOGY:

XPLORER IMAGING DETECTOR SPECIFICATIONS

Detector Array	Full field, single VHD CCD
Active Image Size	43 cm x 43 cm (17" x 17")
Pixels	4,128 x 4,128 (16 Megapixel)
Pixel Size (element pitch)	108 microns
Spatial Frequency (Nyquist)	4.6 lp/mm
Bit Depth	14 bit capture
Fill Factor	100%
AEC	3 field
Preview Image	Less than 5 seconds
Processed Image Display	Approximately 10 seconds
Acquisition Cycle Time	Immediately upon display of previous image
Imaging Detector Weight	75 kg (165 lb)

X3C IMAGING DETECTOR SPECIFICATIONS*

Detector Array	Full field, single VHD CCD
Active Image Size	43 cm x 43 cm (17" x 17")
Pixels	3,072 x 3,072 (9 Megapixel)
Pixel Size	144 microns
Spatial Frequency	3.4 lp/mm
Bit Depth	14 bit capture
Fill Factor	98%
AEC	3 field
Preview Image	Less than 5 seconds
Processed Image Display	Approximately 10 seconds
Acquisition Cycle Time	Immediately upon display of previous image
Imaging Detector Weight	75 kg (165 lb)

*FDA Clearance Pending

STANDARD SYSTEM FEATURES:

GRID

Ratio	13:1
Frequency	70 lines/cm
Type	Stationary, removable
Focal Distance	180 cm (72") and 100 cm (40")

U ARM STAND

Maximum focal distance to floor	167.5 cm (66")
Minimum focal distance to floor	48 cm (19")
Rotation of the arm	150°
Detector angulation	45° CCW and 25° CW
Allowable table dimensions	H 57-86 cm (22.5" - 34"), W 70.5 cm (28"), L 216 cm (85")

- Variable source to image distance movement fully motorized with automatic stops at SID distances of 100 cm (40") and 180 cm (72")
- Motorized vertical movement with automatic detent at the exact table top height, allowing fast and easy positioning for the table
- Fully motorized rotating movement
- Automatic stand positioning from table to chest positions
- Intelligent anti-collision system

GENERATOR

- 64kW, 640 mA
- High Speed Rotor Controller
- Automatic Exposure Control

X-RAY TUBE

- Rotating Anode 12° High Speed
- 150 kVp; 400 KHU
- Dual Focal Spots:
 - High Speed Small Focus 0.6 mm 40kW
 - High Speed Large Focus 1.2 mm 102kW

COLLIMATOR

- Manual Collimator
- Bucky Centering Light with Laser

MODALITY WORKSTATION

Typical hardware configuration:

- Computer: Pentium 4 Processor 3.2 Ghz, 2 GB RAM, 150 GB SATA RAID 1
- Monitor: 1600 x 1200 color flat panel display
- Ethernet 100 / 1000 mbit/s
- Magellan 2.1 Worklist Software

Advanced image processing functions include

- Tissue Equalization
- Image Contrast Enhancement (ICE)
- Sharpening
- Automatic Shuttering

ACCUTECH EXPOSURE MONITORING SOFTWARE

Assists the Technologist in capturing correct exposures by providing instant technique feedback on every image.

POWER REQUIREMENTS

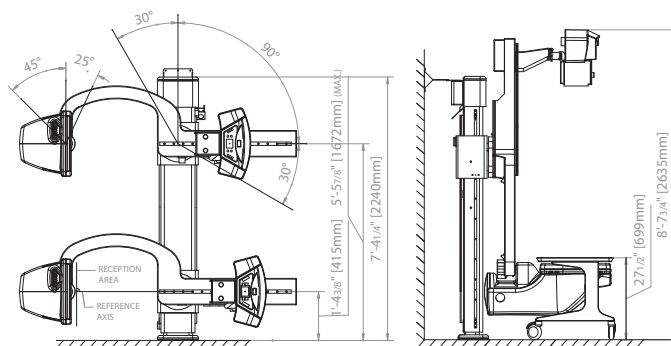
X1600 Stand	Dedicated 230V ±10%, 20A, 55/60Hz
Technologist Workstation	Generator 3ph. 380/480vac 110 – 250V, 10A, 50/60Hz

DICOM 3.0 FUNCTIONALITY

- Print SCU
- Modality Worklist SCU/SCP
- MPPS SCU/SCP
- Storage SCU

OPTIONAL ACCESSORIES

- Weight Bearing Stand
- Orthopedic Software
- DICOM Worklist
- Selectable Resolution
- Patient Tables (Fixed, Mobile, Elevating or Float-Top)



Global Leading DR Technology

info@imagingdynamics.com | 1.866.975.6737

idc
imagingdynamics.com

10/06, V. 3.0